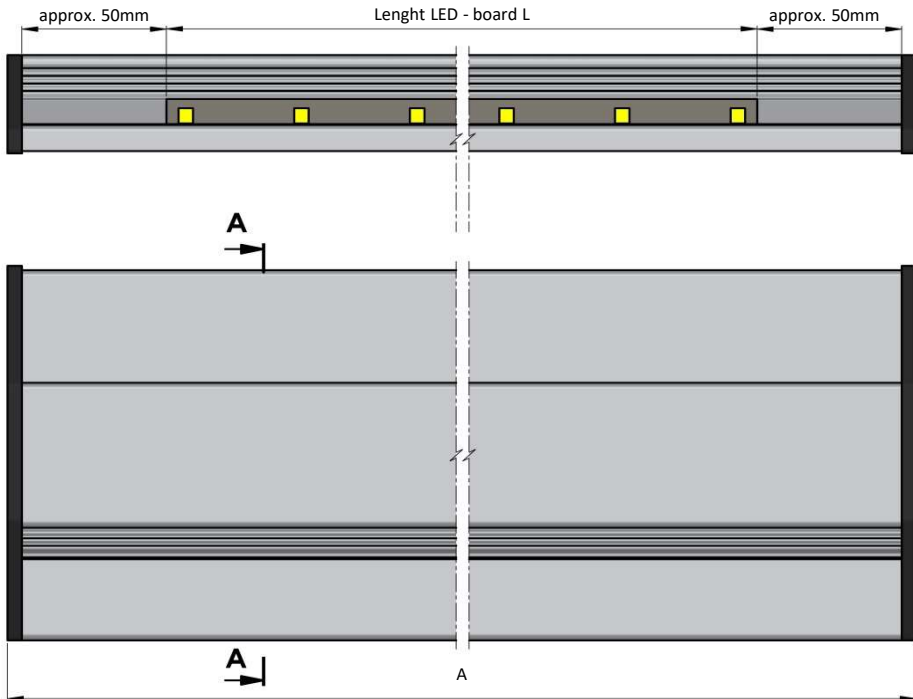


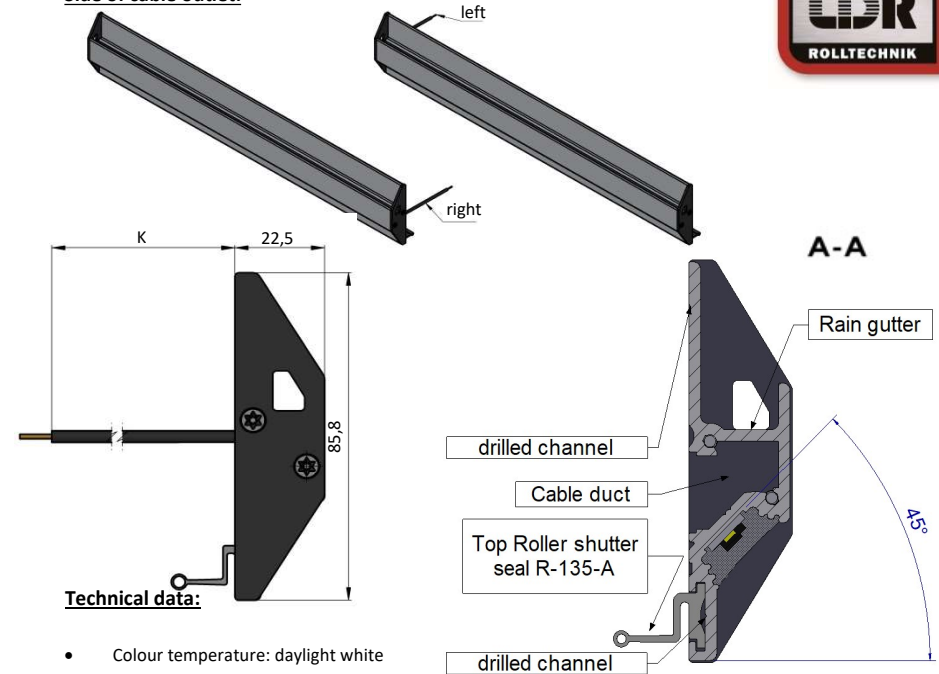
# LDR LED-Line A60 Periphery Lighting-Type D002-1



## Notes on configuration:

- Please observe the required edge distance of 50 mm during configuration !
- Profile length of D002 is possible up to max. 5,300 mm.
- The board A60 (partition 100 mm, 60 pcs. LEDs/m) is used for this product as standard.  
Additional board variants: A30 (30 units. LEDs per metre, half light flux) / natural white / colour board B30 in blue, B35 in red, green, blue and orange or RGB LEDs on request.
- Product weight approx. 1.51 kg/m

## Side of cable outlet:



## Technical data:

- Colour temperature: daylight white
- A60 (60 units LEDs per metre)
- Luminous flux of the lighting fixture 1800 Lm/m at A60
- IP protection class similar to 69 K
- Ambient temperature -40 deg. C up to +50 deg. C
- Product material: Anodized aluminium profile E6/EV1 + polyurethane encapsulation
- Rain gutter integrated
- In conformity with REACH and RoHs
- Technical updates with reservation

## Installation instructions

- The safety instructions in the operating and assembly instructions must be observed !
- The periphery lighting may only be used when the vehicle is at a standstill. Ideally, there should be a connection to the on-board electronics, which blocks operation while the vehicle is in motion (e.g. handbrake released -> LEDs off).
- Observe the respective operating voltage at the LDR LED Line product in every operating state !
- Keep the original connection cable of the LDR LED Line profiles short !
- The electrical installation must be carried out by qualified electricians / mechatronics technicians !
- Supply lines + back-up fuses must be dimensioned to the electrical power consumption of the LED Line products !
- Power consumption approx. 30 W/m at 12V and 24V
- The aluminium profile can be shortened subsequently during assembly. Please observe the markings on the back of the profile !
- Cleaning can be carried out using high-pressure cleaners. When using high-pressure cleaners, a distance of 30 cm from the LDR LED Line product must be maintained !

	Request: O	Order: O		Customer:
		Date:		Com.:
			Variant 1	Variant 2
			Variant 3	
	Number of units:			
Abbreviation	Designation			
A	Total length (max. 5,300 mm)			
Boards	A60 (standard installation)			
L	Length of board (partition 100 mm, 60 LED s/m)			
K	Length of cable (ISO 6722-1) 2 x 1 sqmm x 1 m, 2.6 m, 6 m, 10 m			
Left / right	Cable outlet left OR right (from front !) Both sides as from 4,000 mm /12 V and 5,000 mm /24 V !			
U	Voltage 12 V OR 24 V			
R135-A	Upper shutter seal "with" OR "without"			
	Price net (EUR/unit):			
	Delivery time:			