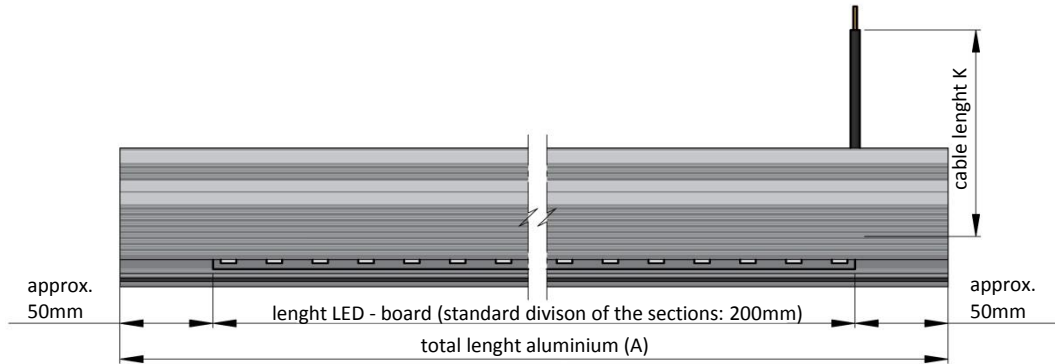
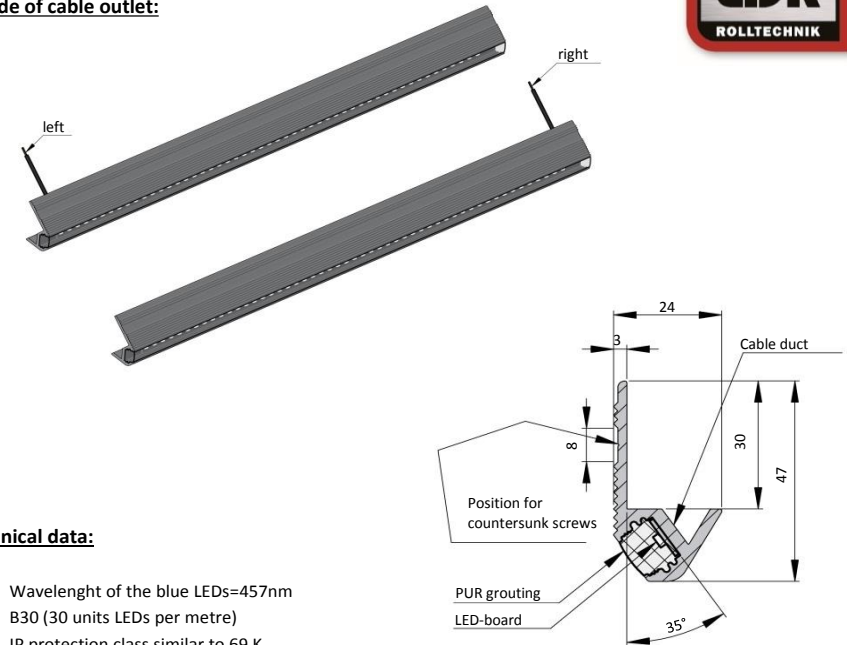


LDR LED-Line colour-type step



Side of cable outlet:



Notes on configuration:

- Please observe the required edge distance of 50 mm during configuration !
- For colouring this product uses the board B30 in blue (Other LED light colours on request).
- Other board variants: A30, A60 (30 units LED and 60 units LEDs per metre) / neutral white and daylight white / B35 in red, green, blue and orange or RGB LEDs on request
- Product weight approx. 0.74 kg/m

Technical data:

- Wavelength of the blue LEDs=457nm
- B30 (30 units LEDs per metre)
- IP protection class similar to 69 K
- Ambient temperature -40 deg. C up to +50 deg. C
- Product material: Anodized aluminium profile E6/EV1 + polyurethane encapsulation
- In conformity with REACH and RoHs
- Technical updates with reservation

Installation instructions

- The safety instructions in the operating and assembly instructions must be observed !
- **The periphery lighting may only be used when the vehicle is at a standstill. Ideally, there should be a connection to the on-board electronics, which blocks operation while the vehicle is in motion (e.g. handbrake released -> LEDs off).**
- Observe the respective operating voltage at the LDR LED Line product in every operating state !
- Keep the original connection cable of the LDR LED Line profiles short !
- The electrical installation must be carried out by qualified electricians / mechatronics technicians !
- Supply lines + back-up fuses must be dimensioned according to the electrical power consumption of the LED Line products !
- Power consumption: **1 W/m at 12 V and 24 V**
- The aluminium profile can be shortened subsequently during assembly. (left and right side each a maximum of 10mm)
- Cleaning can be carried out using high-pressure cleaners. When using high-pressure cleaners, a distance of 30 cm from the LDR LED Line product must be maintained !

	Request: O	Order: O		Customer:	
			Date:		Com.:
			Variant 1	Variant 2	Variant 3
	Number of units:				
Abbreviation	Designation				
A	Total length (max. 4,000 mm)				
L	Length of circuit board (partition 200 mm)				
F	LED luminous colour blue (standard)				
K	Length of cable (ISO 6722-1) 2 x 0.75 sqmm x 700 mm				
left / right	Cable outlet left OR right (seen from the front !)				
U	Voltage 12 V OR 24 V				
	Price net (EUR/unit):				
	Delivery time:				

