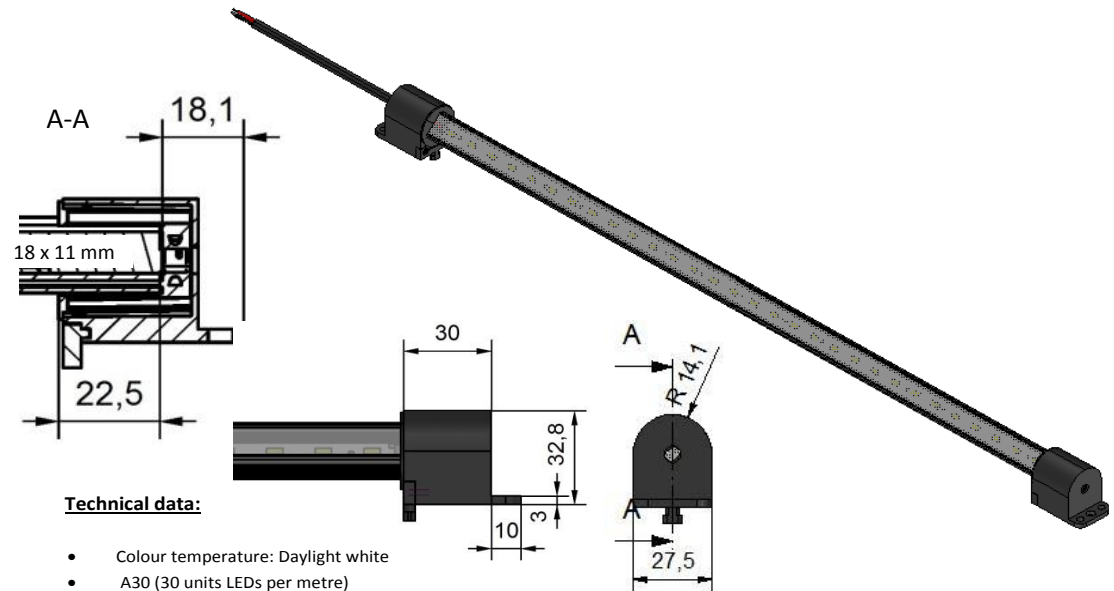


# LDR LED-Line A30-Type 18x11



Article	Total length of aluminium	Power consumption approx.	Luminous flux approx.	Weight approx.	Article number - variant A30
LED Line A30 12 V Light colour Daylight white	250 mm	2.4W	148lm	90g	500361
	450 mm	4.8W	296lm	158g	500375
	650 mm	7.2W	444lm	218g	500376
	850 mm	9.6W	592lm	280g	500377
	1050 mm	12W	740lm	348g	500344
	1250 mm	14.4W	888lm	404g	500378
	1450 mm	16.8W	1036lm	466g	500379
	1650 mm	19.2W	1184lm	520g	500380
	1850 mm	21.6W	1332lm	667g	500381
2050 mm	24W	1480lm	738g	500359	
LED Line A30 24 V Light colour Daylight white	250 mm	2.5W	155lm	100g	500371
	450 mm	5W	310lm	164g	500374
	650 mm	7.5W	465lm	222g	500382
	850 mm	10W	620lm	290g	500383
	1050 mm	12.5W	775lm	350g	500335
	1250 mm	15W	930lm	408g	500384
	1450 mm	17.5W	1085lm	470g	500385
	1650 mm	20W	1240lm	546g	500386
	1850 mm	22.5W	1395lm	592g	500387
2050 mm	25W	1550lm	660g	500358	
LED Line A30 12 V Light colour: Warm white	550 mm	6.0 W	450 lm	198g	500388
	1050 mm	12.0 W	900 lm	348g	500389
	1550 mm	18.0 W	1,350 lm	558g	500390
Info: Other LED boards	Variant A60 (60 units LEDs/m, double luminous flux / neutral white / Colour board B30 in blue, B35 in red, green, blue and orange or RGB LEDs upon request Special lengths all variants upon request Profile lengths up to max. 4050 mm are possible.				
Universal plastic holder, adjustable, for 18 x 11 mm profile	Set of 2 up to 1,050 mm length			52g	300483
	Set of 3 including centre section up to approx. 1,650 mm			76g	300488
	Set of 4 including centre section up to approx. 1,850 mm			100g	300489
U-shapes retaining clip for 18 x 11 mm profile made of stainless steel sheet	Approx 2 retaining clips are needed for each metre of LED profile			2g	300553



## Technical data:

- Colour temperature: Daylight white
- A30 (30 units LEDs per metre)
- Luminous flux of the lighting fixture - cf. Table
- IP protection class similar to 69 K
- Ambient temperature -40 deg. C up to +50 deg. C
- Product material: Anodized aluminium profile E6/EV1 + polyurethane encapsulation
- Profile length of 18 x 11 mm is possible up to max. 4050 mm.
- Standard cable length 700 mm
- In conformity with REACH and RoHS
- Technical updates with reservation

## Installation instructions

- The safety instructions in the operating and assembly instructions must be observed !
- **The lighting may only be used when the vehicle is at a standstill. Ideally, there should be a connection to the on-board electronics, which blocks operation while the vehicle is in motion (e.g. handbrake released -> LEDs off).**
- Observe the respective operating voltage at the LDR LED Line product in every operating state !
- **Keep the original connection cable of the LDR LED Line profiles short !**
- The electrical installation must be carried out by qualified electricians / mechatronics technicians !
- Supply lines + back-up fuses must be dimensioned to the electrical power consumption of the LED Line products !
- Power consumption: **12 W/m at 12 V** and **12,5W/m at 24 V**